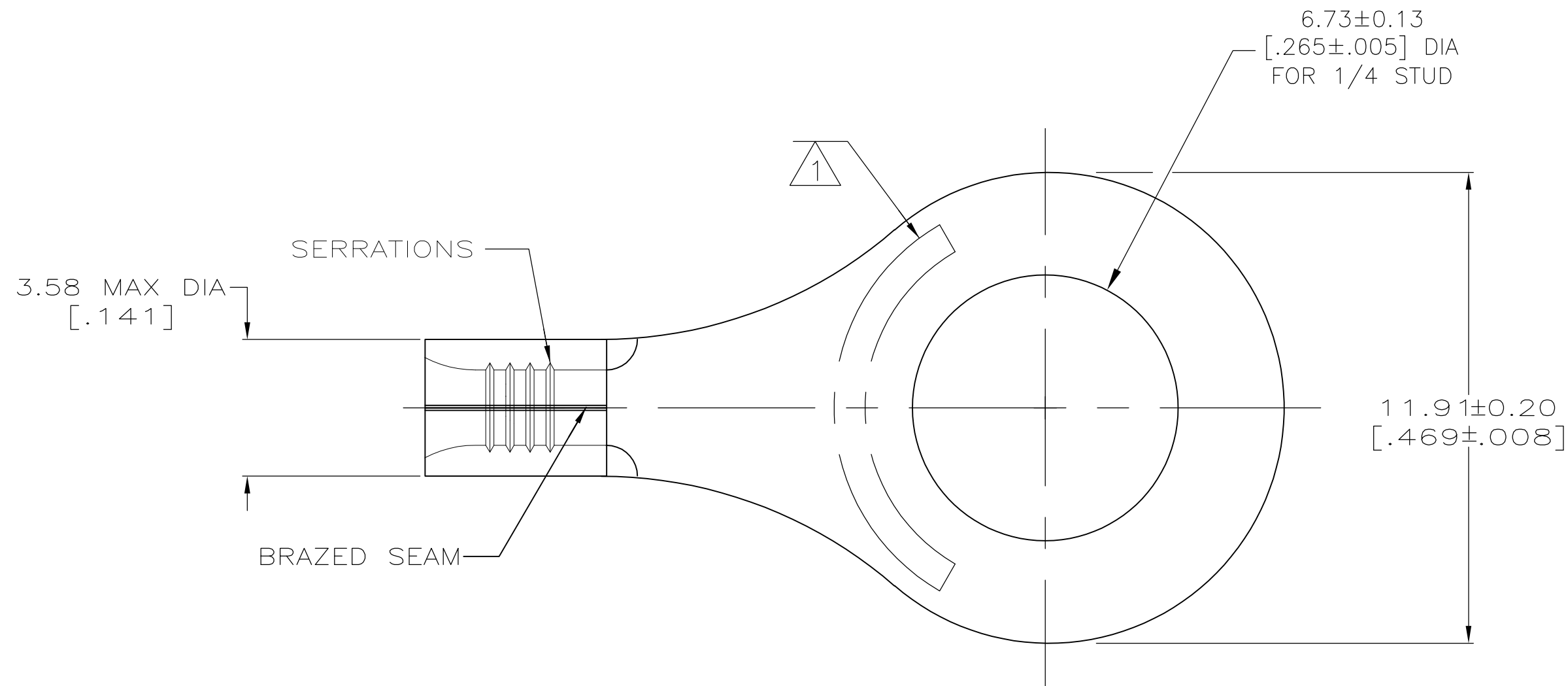


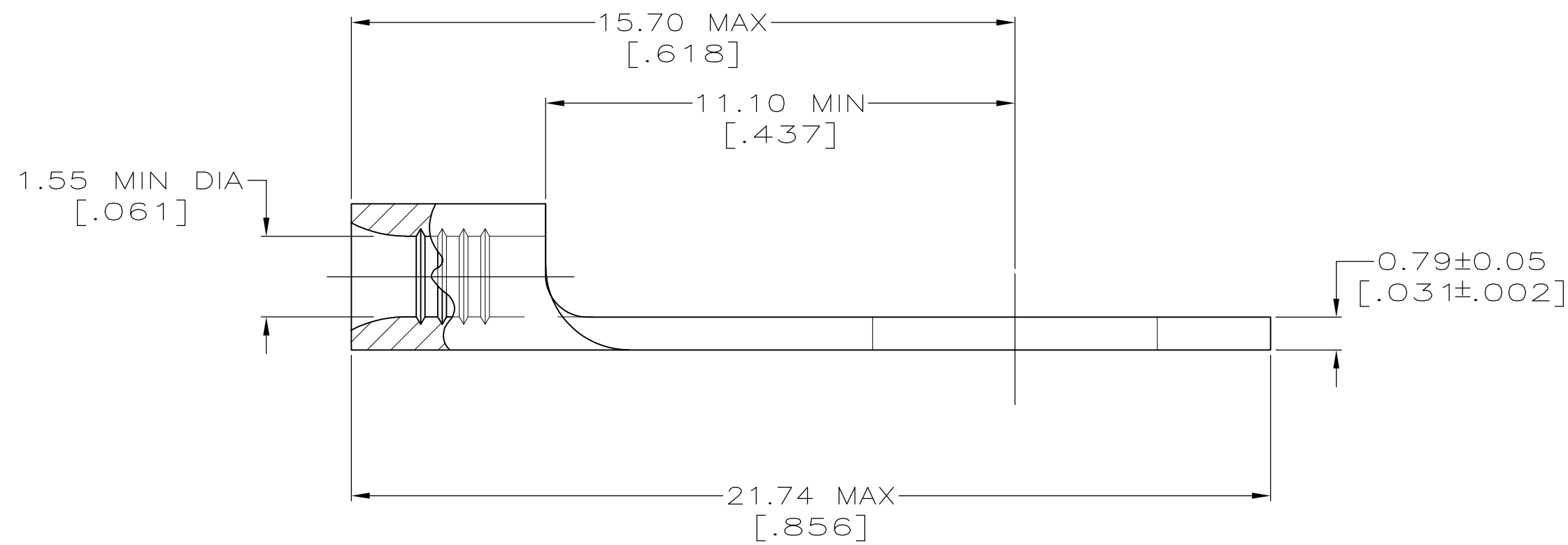
THIS DRAWING IS UNPUBLISHED. RELEASED FOR PUBLICATION
 © COPYRIGHT BY TYCO ELECTRONICS CORPORATION. ALL RIGHTS RESERVED.

LOC		DIST		REVISIONS			
P	LTR	DESCRIPTION		DATE	DWN	APVD	
G	14	E3	REV PER ECR 08-010433	23APR08	JR	MS	



AMP WIRE RANGE	Listed FILE E13288	LR7189 Certified
22-16 AWG SOLID OR STRANDED	22-16 AWG SOLID OR STRANDED	22-16 AWG SOLID OR STRANDED

- 1 STAMP AMP 22-18* APPROX AS SHOWN
22-16 TERMINALS ARE STAMPED 22-18 IN
ACCORDANCE WITH MILITARY SPEC MIL-T-7928
COMMERCIAL WIRE RANGE IS 22-16
- 2 TIN PLATE 0.00254 [.000100] MIN THK
ASTM B-545
- 3 CLEANED, UNPLATED
- 4 NICKEL PLATED 0.00762 [.000300] MIN THK PER QQ-N-290.



QTY	MAX TEMP.	PACKAGE TYPE	FINISH	PART NUMBER
100	170°C MAX	LOOSE PIECE, BOX	-	8-34113-1
5000	170°C MAX	ON TAPE	-	2-34113-2
-	343°C MAX	LOOSE PIECE	4	34113-4
-	170°C MAX	LOOSE PIECE	3	34113-3
-	170°C MAX	LOOSE PIECE	2	34113

AMP INCORPORATED CUSTOMER SERVICE SYSTEMS		MAX RECOMMENDED OPERATING TEMPERATURE: SEE TABLE	THIS DRAWING IS A CONTROLLED DOCUMENT.		DWN TA BRINKMAN 3-10-93	Tyco Electronics Corporation Harrisburg, PA 17105-3608		
FOR ADDITIONAL PRODUCT INFORMATION OR COPIES OF DRAWINGS AND TECHNICAL DOCUMENTS	PRODUCT INFORMATION CENTER 1-800-522-6752	VOLTAGE RATING: N/A	DIMENSIONS: MM [INCHES]	TOLERANCES UNLESS OTHERWISE SPECIFIED:	CHK DA PATTERSON 3-10-93	NAME DE MILLER 3-10-93		
FOR APPLICATION TOOLING INFORMATION	TOOLING ASSISTANCE CENTER 1-800-722-1111	CIRCULAR MIL AREA: 0.26-1.65mm ² [509-3260] CIR MILS SOLID OR STRANDED		0 PLC ± - 1 PLC ± - 2 PLC ± 0.20 [.008] 3 PLC ± - 4 PLC ± - ANGLES ± -	APVD DE MILLER 3-10-93	PRODUCT SPEC		
FOR ORDER ENTRY	1-800-526-5142	THIS DRAWING IS A CONTROLLED DOCUMENT FOR AMP INCORPORATED. IT IS SUBJECT TO CHANGE AND THE CONTROLLING ENGINEERING ORGANIZATION SHOULD BE CONTACTED FOR THE LATEST REVISION.	MATERIAL COPPER PER ASTM B152 ANNEALED	FINISH SEE TABLE	APPLICATION SPEC	SIZE A2	CAGE CODE 00779	
					WEIGHT -	DRAWING NO C-34113	RESTRICTED TO -	
CUSTOMER DRAWING						SCALE 8:1	SHEET 1 of 1	REV E3